

PLEASE CHECK WWW.MOLEX.COM FOR LATEST PART INFORMATION

Part Number: [0211000013](#)
Status: **Active**
Overview: [premo flex](#)
Description: 2.54mm (.100") FFC Jumper, (Type D) 4 Circuits, 0.064m (2.52") Length

Documents:

[Drawing \(PDF\)](#) [RoHS Certificate of Compliance \(PDF\)](#)

General

Product Family	Cable
Series	21100
Crimp Quality Equipment	Yes
Geographic Area	Americas
Overview	premo flex
Product Name	Premo-Flex™ FFC Jumper

Physical

Cable Length	0.064m (2.52")
Circuits (Loaded)	N/A
Circuits (maximum)	4
Packaging Type	Bag
Pitch - Term. Interface (in)	0.000 In
Pitch - Term. Interface (mm)	0.00 mm
Temperature Range - Operating	N/A
Wire Size AWG	N/A
Wire/Cable Type	Flat Flex Cable

Electrical

Current - Maximum per Contact	N/A
Voltage - Maximum	N/A

Material Info

Reference - Drawing Numbers

Sales Drawing	21100-0013
---------------	------------



image - Reference only

Series

EU RoHS

Not RoHS Compliant

REACH SVHC

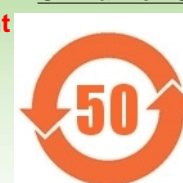
Not Reviewed

Halogen-Free

Status

Not Reviewed

China RoHS



Need more information on product environmental compliance?

Email productcompliance@molex.com
 For a multiple part number RoHS Certificate of Compliance, [click here](#)

Please visit the [Contact Us](#) section for any non-product compliance questions.

Search Parts in this Series

[21100Series](#)

Use With

Any 2.54mm (.100") Pitch Molex FFC/FPC connector, Custom specific developed FFC connectors

6

5

4

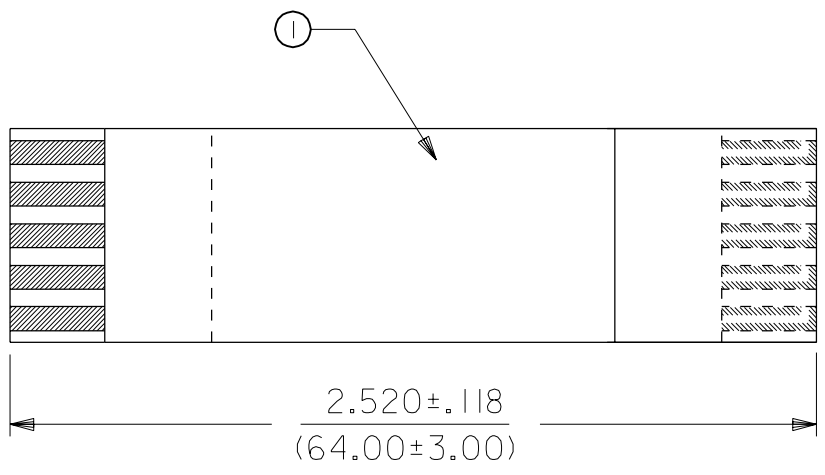
3

2

21100

ITEM	DESCRIPTION	P/N	QTY	CKT. SIZE	TEMP. RATING
①	CABLE	21100-0013	2.520"	4	H

$\frac{.100 \pm .004}{(2.54 \pm 0.10)}$



$\frac{.197 \pm .039}{(5.00 \pm 1.00)}$ TYP

$\frac{.394}{(10.00)}$ REF TYP

NOTE:
NO PRINTING IS TO BE ALLOWED ON CABLE

DIMENSIONS SHOWN (METRIC) INCH

UNLESS OTHERWISE SPECIFIED TOLERANCES: ANGULAR $\pm 1/2^\circ$

	INCH	METRIC
3 PLACE	$\pm .005$	---
2 PLACE	$\pm .01$	± 0.13
1 PLACE	---	± 0.25

DRAFT WHERE APPLICABLE MUST REMAIN WITHIN DIMENSIONS

$\nabla = 0$ $\blacktriangledown = 0$

REVISE ONLY ON CAD SYSTEM

TITLE
2.54 mm \varnothing FFC JUMPER
STYLE TYPE "D"
PDR UAU001098-00-00

MOLEX INCORPORATED
LISLE, ILL. 60532 U.S.A.
SHEET NO. 1 OF 1
DATE 03/05/07

PART NO. 21100-0013
DRWG. NO. 21100-0013

FILE NAME 21100-0013 SO1
THIS DRAWING CONTAINS INFORMATION THAT IS PROPRIETARY TO MOLEX INC. AND SHOULD NOT BE USED WITHOUT WRITTEN PERMISSION.
DIV. AU
SIZE A

A
FINAL RELEASE
ECN UAU2003-0227
DEME0 03/05/07

LTR. REVISIONS

LTR. REVISIONS

DRWG. BY DRD
CHK'D. BY TGP
APP'D. BY RLM
SCALE -- : --

6

5

4

3

2

1